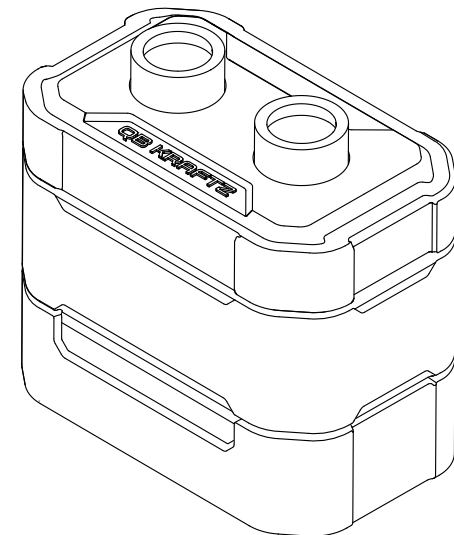




QB KRAFTZ



# CLEAR ICE MAKER

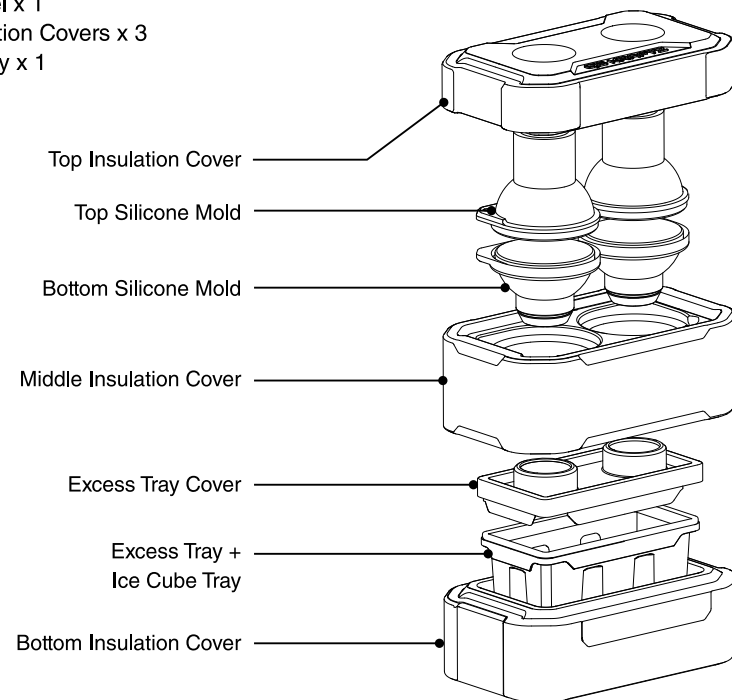
Instruction Manual

## Before Use:

First, take apart each component and clean with soap and water before using QB Kraftz. When clean, reassemble QB Kraftz and make sure all parts are tightly sealed.

## Package Contents:

- Silicone Molds x 2
- Plastic funnel x 1
- Foam Insulation Covers x 3
- Ice Cube Tray x 1

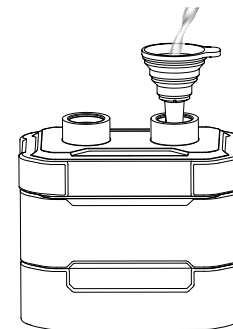


1

## Using QB Kraftz:

Preparing water: Use distilled/filtered water that is boiled twice, let the water cool down to about 40°C /104°F or slightly below. Boiling the water twice is recommended as it maximizes your chances of getting crystal-clear ice.

1. Take the funnel accessory and place it in either hole on the QB Kraftz stud when fully assembled. Pour approximately 280ml/9.5 fl oz of boiled water into the funnel. It is full when water reaches the top of both holes. Make sure there is no water leaking on the sides.



2. Place QB Kraftz in freezer and let it sit for about 36 hours, it is recommended that you set your freezer temperature to -15°C /5°F. The long and controlled freezing time is necessary for getting crystal-clear ice. Do not place QB Kraftz near the cooling vent inside freezer because it will be too cold.



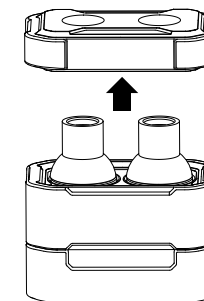
36 Hours



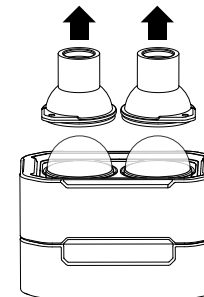
5°F / -15°C

2

3. Remove QB Kraftz from freezer and let it rest for a couple minutes for defrosting, if it was frozen colder than the recommended temperature, let it rest for about 10 minutes or run cool or room temperature water over it. If you open the molds too soon after removing them from the freezer, you risk damaging your QB Kraftz.

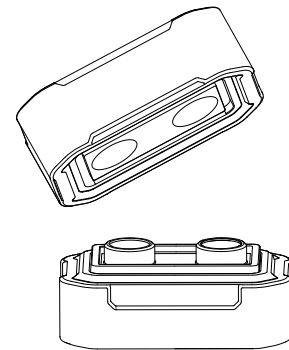


4. Remove the top insulation cover. You can run cool or room temperature water over the molds and ice to speed up defrosting process. The water can also help polish the frosted surface of the ice.

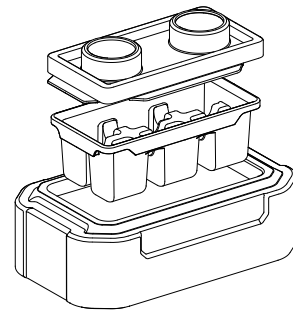


3

5. Remove bottom insulation cover from excess tray assembly.

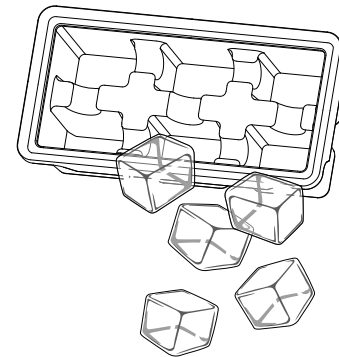


6. Separate excess tray from the bottom insulation cover.



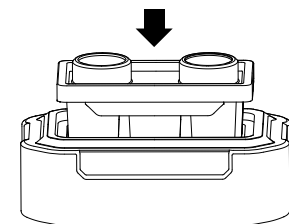
4

7. Twist excess tray to remove ice cubes.  
(The excess ice cubes will not be crystal-clear)



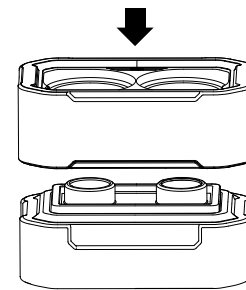
### Assembly Instructions:

1. Tightly close excess tray and place in insulated cover.

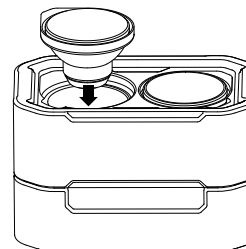


5

2. Place middle insulation cover on top of excess tray assembly.

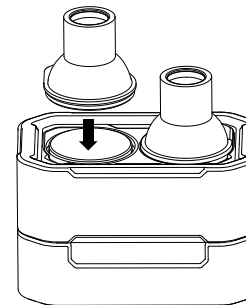


3. Insert bottom silicone molds into insulation cover with tabs matching their corresponding location. Press firmly inside of silicone mold to snap in place.

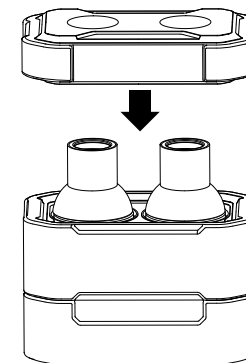


6

4. Place top silicone mold on top and press down around edges to seal mold together.



5. Place top insulation cover to complete assembly. Make sure the parts are not sticking or popping up.



7

