



## TV ANTENNA SIGNAL AMPLIFIER



Instruction Manual

V2

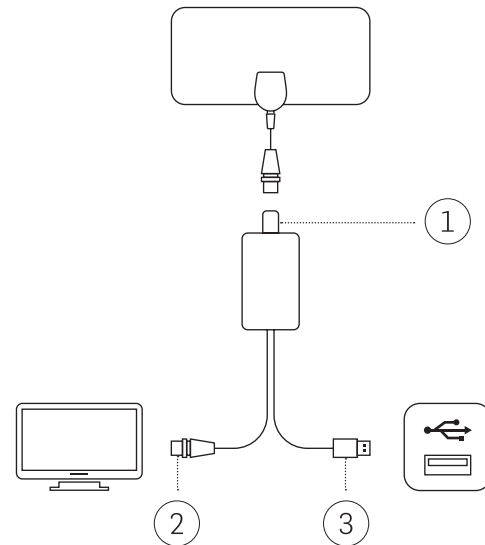
Thank you for choosing  
NOVAWAVE® Signal Amplifier!

Get even better TV reception without adding a cent to your monthly bills!

This high-quality signal amplifier helps your NOVAWAVE TV Antenna perform better, especially in locations that don't get a strong signal.

Kindly read this user manual before setting up your new TV antenna and amplifier. Make sure to keep this document for future reference.

### Product Components



1. Antenna Connector
2. Coaxial Cable
3. USB-A Cable 5V/1A

## Caution

**Choking hazard. Keep all parts and cords away from children.**

## Setting Up Your Signal Amplifier

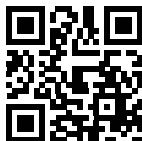
1. Connect your antenna to the amplifier using the coaxial cable.
2. Connect the amplifier's coaxial cable to the ANT/IN connector on the back of your TV.
3. Connect the USB cable to your TV or to a wall outlet using a wall adaptor (not included).
4. Follow the instructions on your antenna's manual, then start scanning for channels on your TV.

## Caring for Your Signal Amplifier

1. Use the device for its intended purpose only.
2. Do not expose the amplifier to direct heat (e.g. heaters, furnaces, fireplaces).
3. Use the amplifier with an appropriate antenna. We recommend using this device with the NOVAWAVE TV Antenna.

## Customer Service

Thank you for choosing NOVAWAVE!  
Have a question about our products? You can contact our helpful customer service team by going to [support.getnovawave.com](https://support.getnovawave.com) or by scanning the QR code below. We're always happy to help!



The device complies with the European Directives 2014/30/EU



This device complies with Part 15 of the FCC Rules. Operation is subject to the following two conditions: (1) This device may not cause harmful interference, and (2) this device must accept any interference received, including interference that may cause undesired operation.



At the end of its service life, this product may not be disposed of in the normal household waste, but rather must be disposed of at a collection point for recycling electrical and electronic devices. The materials are recyclable according to their labelling. You make an important contribution to protecting our environment by reusing, recycling, or utilizing old devices in other ways. Please ask the municipal administration where the appropriate disposal facility is located.

